

SPECIFICATIONS

| | | |
|-------------------------------|---|----------|
| Load Bank Model | 5MW, Resistive Load Bank | |
| | Weatherproof Enclosure | |
| Test Supply | 440-480V 60Hz 3 Phase Delta | |
| | 380-420V 50Hz 3 Phase Delta | |
| Voltage Tolerance | +/- 5% | |
| Frequency Tolerance | +/- 5% | |
| KW Tolerance | -0, +4% | |
| Phases | 3ph | |
| Optional Certification | CE, UL, CSA | |
| Standards | Complies with NEC/NFPA, NEMA, and ANSI standards | |
| Minimum Step Resolution | 5KW (up to full capacity) | |
| Auxiliary Supply Options | Test Supply or Shore Power | |
| Telematic System | 2-year Subscription Included | |
| Shore Power (Fans & Controls) | 80A, 480V 60Hz 3 Phase Delta | |
| Controls Only | 30A 120V 60Hz | |
| Optional Control Systems | Portable remote load controller | |
| | Local manual operator panel, Cooling Fan controls, visual indicators, industrial toggle switches for individual load steps and master on/off switch, Fault reset push button, 3 Phase Panel Meter | |
| | PC Software | |
| | Modbus Interface | |
| | Data Reporting Capabilities | |
| Test Supply Connections | 400a Cam-Style single pole quick connect receptacles. Bus Bar Optional. | 16/PHASE |
| Auxiliary Supply Connections | Cam-Style single pole quick connect receptacles. Bus Bar Optional. | 1/PHASE |
| Instrumentation | 3 Phase Digital Monitoring System | |

| | |
|--|---|
| Rated Max. Ambient Temperature Operation | 120° F |
| Rated Min. Ambient Temperature Operation | -4° F |
| Altitude Rating | 6,500 FT |
| Air-flow Requirements | 4' Perimeter |
| Paint Specification | 2-Part Polyurethane Epoxy |
| Protection | Load step individual fuse protection, controls fuse protection, Cooling fan motor starters and overload relays, Cooling fan air flow sensors, Load Elements over temperature sensors, Over Voltage protection, Phase Reversal protection, Emergency Stop push button. |

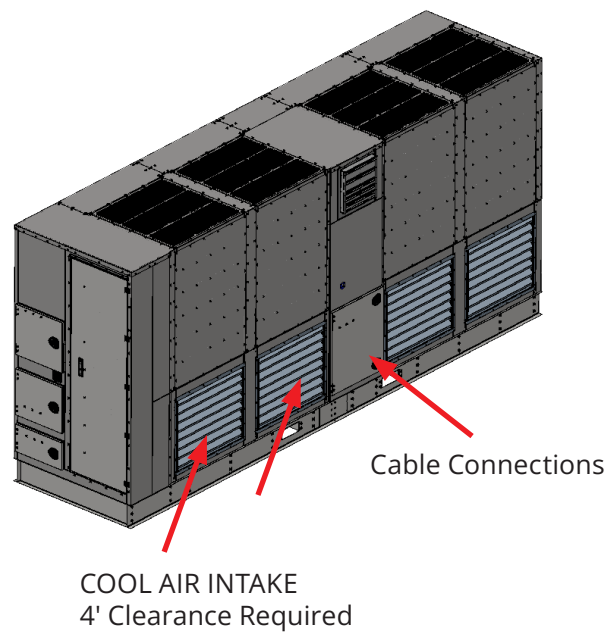
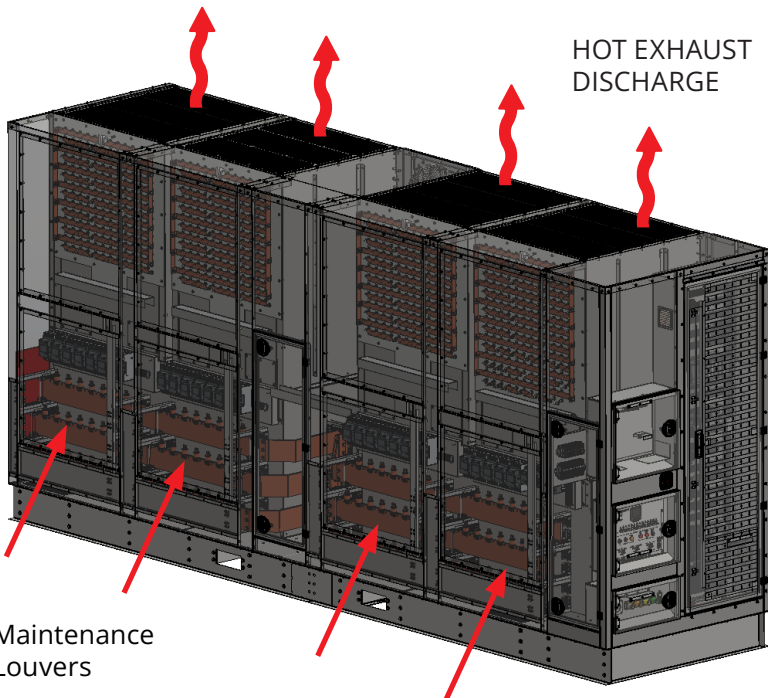
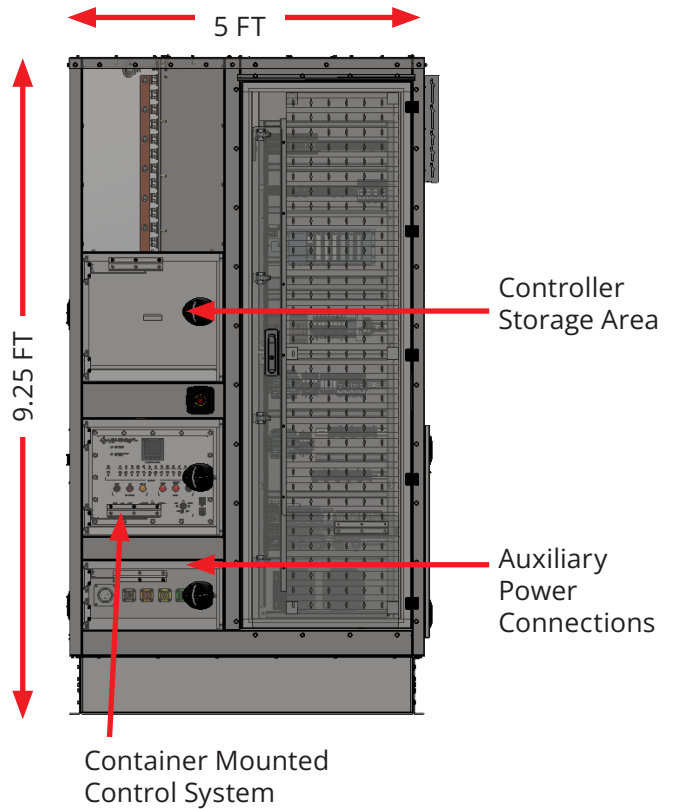
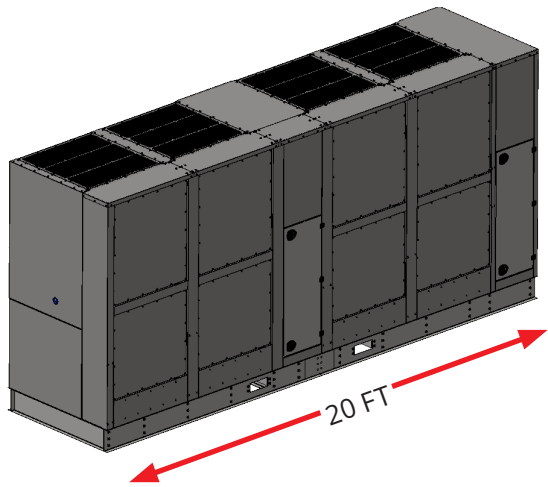
DIMENSIONS

| | |
|----------------------|-------------------|
| Enclosure Dimensions | NEMA 3R Enclosure |
| Lifting | Fork Pockets |
| Length | 20' |
| Width | 5' |
| Height | 9.25' |
| Gross Weight | 13,000 LBS |

LOAD CAPACITY

| | | |
|----------------------|------|--------|
| Capacity per Voltage | 480V | 5000kW |
| | 450V | 4394kW |
| | 415V | 3737kW |
| | 400V | 3472kW |
| | 380V | 3133kW |

For more information, please call,
(888) 862-0682



For more information, please call,
(888) 862-0682